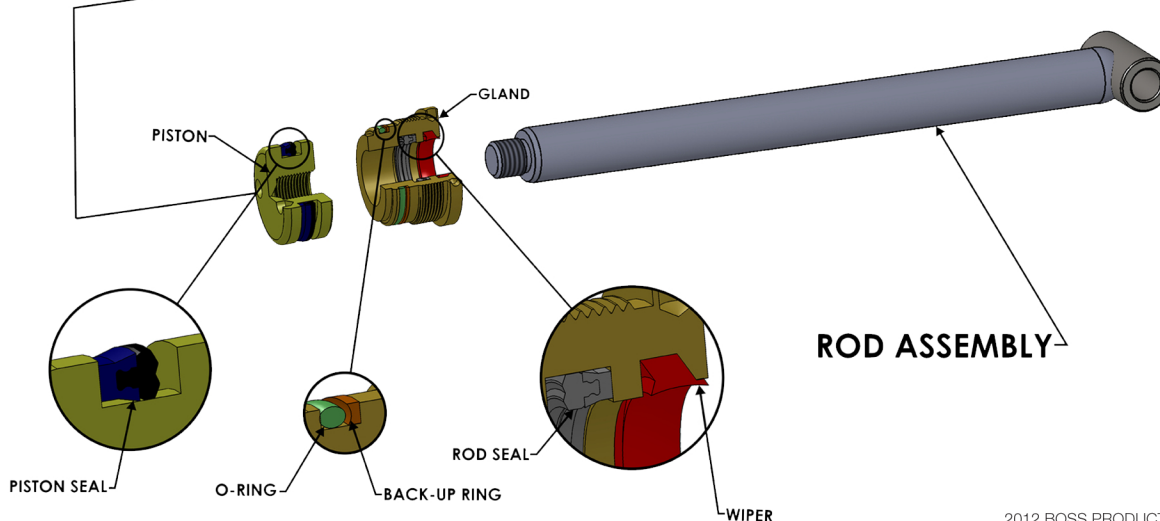
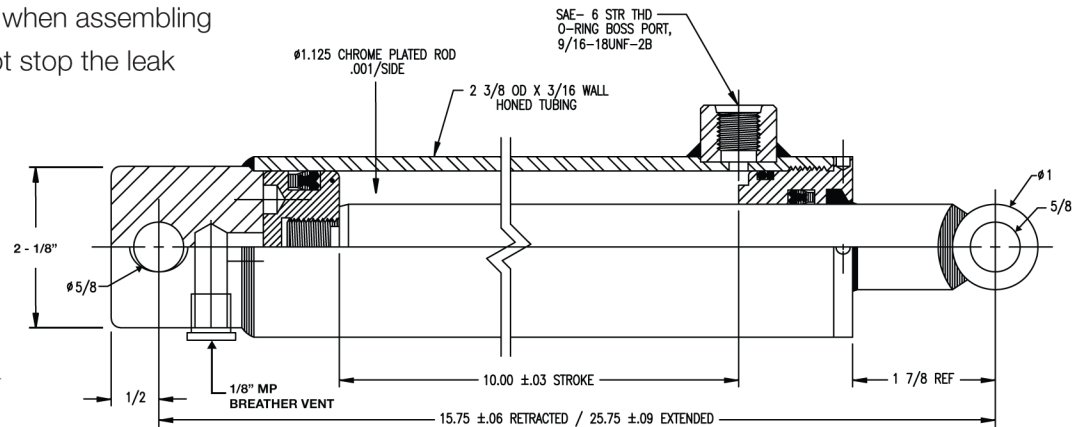
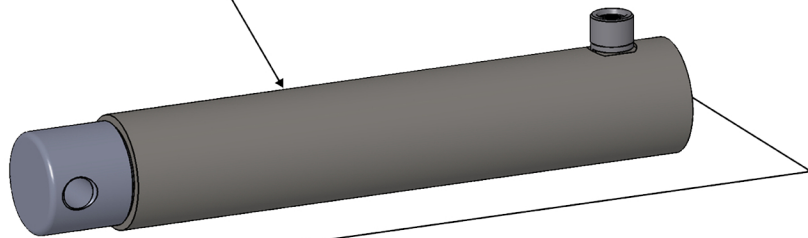


HYD07013

Lift Cylinder, RT3 Straight and V-Blades

- 10" Stroke, 1.125" rod
- 2" ID x 3/16 wall honed tube - same hydraulic area as RTII cylinders
- Pull type cylinder (work is performed as cylinders retracts the rod into the tube)
- Normal resting position - cylinders extended
- Double lip seals - polyurethane and Buna-N type to cover all temperature ranges
- Should be stored in the retracted position during off season
- Maximum operating pressure 2500 psi
- Requires a spanner wrench to remove rod gland nut to change seals
- If Piston is removed from the rod apply Lock-Tight to the rod threads when assembling
- If cylinder is leaking must replace packing; tightening gland nut will not stop the leak

BODY ASSEMBLY



Service Parts:
Seal Kit - HYD07025
Gland Nut - HYD07026
Breather - HYD07016